

**PMB 6 SP / CP**

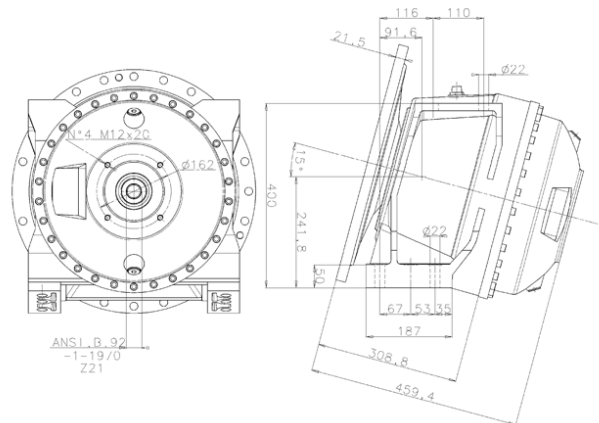
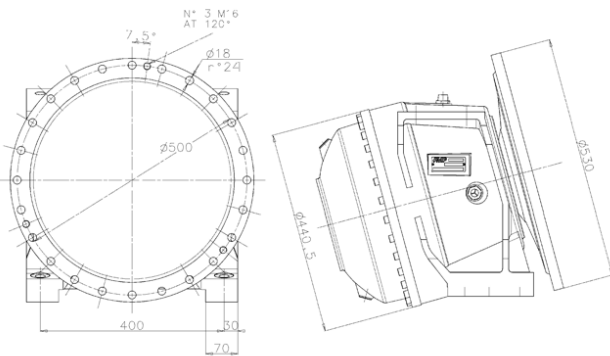


**Technical Data**

	<b>PMB 6 SP (without water pump connection)</b>	<b>PMB 6 CP (with water pump connection)</b>
Maximum Output Torque	60.000 Nm	60.000 Nm
Reduction Ratio	1 : 99.9	1 : 99.9
Maximum Input Speed	2.500 rpm	2.500 rpm
Weight	270 kg	275 kg
Oil Quantity	12 l	12 l
Oil type	SAE 85W90 / EP4 or EP5	SAE 85W90 / EP4 or EP5
Maximum flange misalignment	+/- 6°	+/- 6°
Drum capacity	up to 8 m <sup>3</sup>	up to 8 m <sup>3</sup>

**Technical Drawing**

PMB 6 SP



PMB 6 CP

