

PMB 6.5 SP / CP

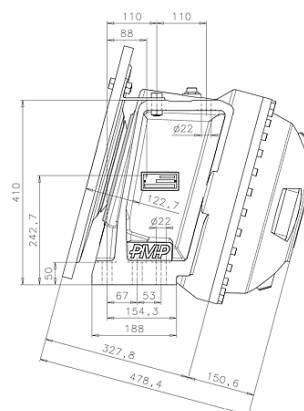
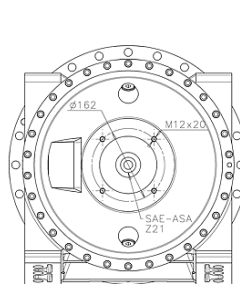
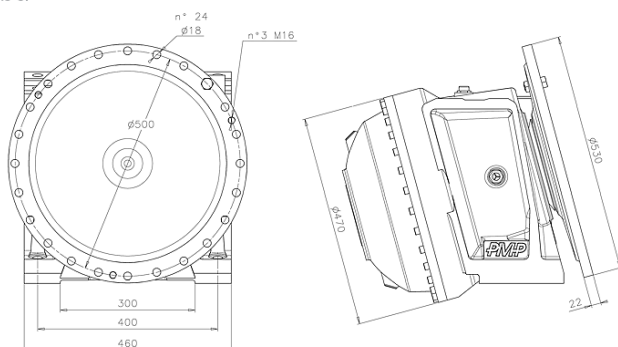


Technical Data

	PMB 6.5 SP (without water pump connection)	PMB 6.5 CP (with water pump connection)
Maximum Output Torque	65.000 Nm	65.000 Nm
Reduction Ratio	1 : 120.3	1 : 120.3
Maximum Input Speed	2.500 rpm	2.500 rpm
Weight	290 kg	295 kg
Oil Quantity	13 l	13 l
Oil type	SAE 85W90 / EP4 or EP5	SAE 85W90 / EP4 or EP5
Maximum flange misalignment	+/- 6°	+/- 6°
Drum capacity	8-10 m ³	8-10 m ³

Technical Drawing

PMB 6.5 SP



PMB 6.5 CP

